



BF Silent Domestic Fans

Simple and compact extract fan for small domestic spaces

- Robust. IPX4 protection degree
- Low power consumption
- Low noise
- Integral back-draught shutter

[Find more details in our online catalogue.](#)

Flexible

The **unobtrusive** design of the BF Silent, range of installation options and **simple control** allows it to be used in **bathrooms, toilets** and **small/medium premises**.

Durable

Each unit is built from **robust, durable** components and suitable for **continuous** and **intermittent** running even in **cold climates**. Fans are **fully recyclable** once it has reached the end of its operational lifespan.

Features

Construction

Casing made of **high quality ABS** provides long lasting shock-proof and robust construction with **IPX4** protection degree. The unit is finished in white **RAL 9010** and is **UV resistant**. Fan has **integral back-draught shutter** to prevent air flowing back into the room when the fan is off. **Aesthetic flat front cover** provides a modern interior design.

Impeller

Special design **winglet-type axial impeller**, providing enhanced aerodynamic properties, **low noise** and **high efficiency**.

Motor

Single-phase induction **AC motors**, mounted on sealed for life, high quality sleeve bearings. Suitable for continuous and intermittent operation. All motors are suitable for **50Hz** and **60Hz**.

Motor protection

BF silent fan motors have **integrated thermal protection**.

Control

All BF Silent fans can be manually operated via a separate **ON/OFF switch** or the **light switch**.

Version with **Timer (T)**. After switching off, the fan is running for the pre-set period of time.

Version with **Humidistat & Timer (HT)**.

When humidity level is higher/lower than the threshold, the fan is automatically activated. After switching off, the fan is running for the pre-set period of time.

Installation

Fan can be installed on **wall/panel** or **ceiling**. Fan suitable to extract stale air **directly** to the outside or **through short length ducting**.

Fan is double insulated: no earth connection is required when connecting to the power source.

Technical parameters

Nominal data

Voltage (nominal)	230	V
Frequency	50	Hz
Phases	1~	
Input power	14	W
Input current	0.088	A
Impeller speed	2,230	rpm
Air flow	max 140	m³/h
Temperature of transported air	max 50	°C

Sound data

Sound pressure level at 3m (free field)	34	dB(A)
---	----	-------

Protection/Classification

Enclosure class, motor	IPX4
Insulation class	B

Data according to ErP

Energy class, Basic unit	C
Energy class, Local demand	E
ErP ready	ErP 2018

Dimensions and weights

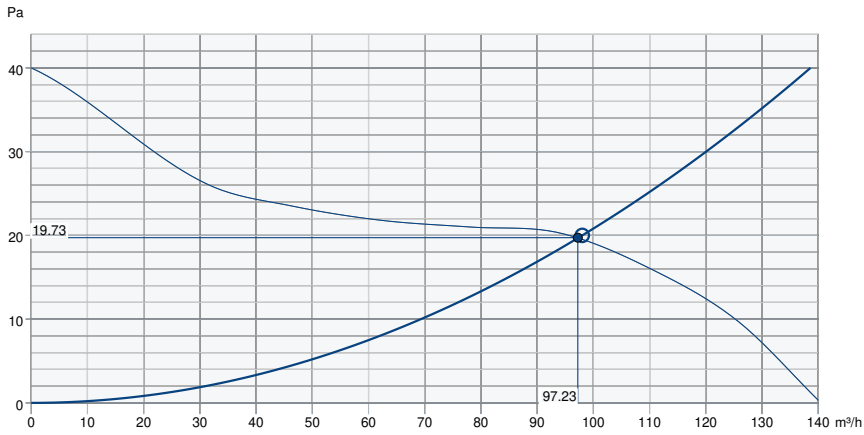
Duct dimension; Circular, inlet	120	mm
Weight	0.75	kg

Others

Motor type	AC
------------	----

Performance

Performance curve



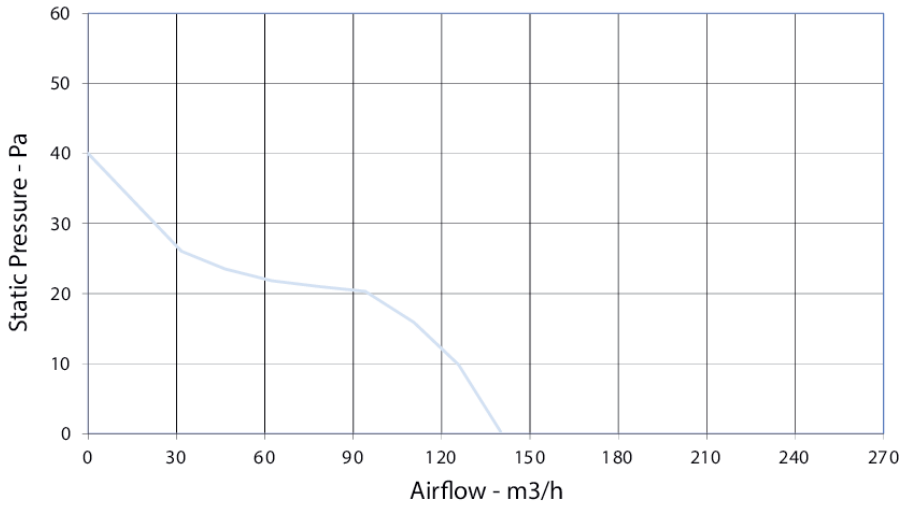
Hydraulic data

Required air flow	98 m³/h
Required static pressure	20 Pa
Working air flow	97 m³/h
Working static pressure	20 Pa
Air density	1.204 kg/m³
Power	12.8 W
Fan control - RPM	2,316 rpm
Current	0.10 A
SFP	0.474 kW/m³/s
Control voltage	230.0 V
Supply voltage	230 V

Accessories

Performances

BF Silent 120



Ecodesign

Ecodesign

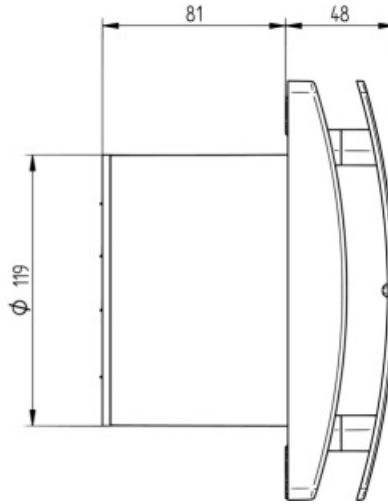
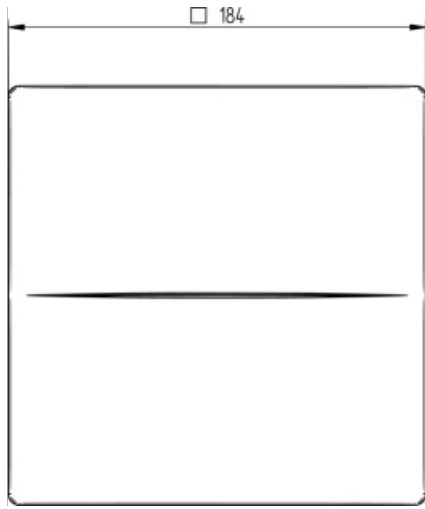
ErP compliance	2018
Unit category	RVU
Drive	External MSD or VSD
Unit type	UVU
Heat recovery type	None
Temperature ratio (UVU)	Not applicable
qv nom	0.0272 m ³ /s
P nom	0.013 kW
Ps nom	20 Pa
Fan efficiency	4.2 %

Basic unit		
ErP compliance		2018
SEC Average	-11.3	kWh/(m ² .a)
SEC Cold	-27.7	kWh/(m ² .a)
SEC Warm	1.91	kWh/(m ² .a)
SEC Class		E
Unit category		RVU
Unit type		UVU
Drive	External MSD or VSD	
Heat recovery type		None
Temperature ratio (UVU)	Not applicable	
qv max	98	m ³ /h
P max	13	W
qv ref	0.0114	m ³ /s
Ps ref	50	Pa
SPI	0.187	W/(m ³ /h)
CTRL		1
MISC		1.1
x-value		1.5
External Leakage	Not applicable	
AEC average	234	kWh
AHS Cold	234	kWh
AEC warm	234	kWh
AHS Average	17	kWh/a
AHS Cold	34	kWh/a
AHS Warm	8	kWh/a

Units with local demand control

ErP compliance	2018
SEC Average	-25.24 kWh/(m ² .a)
SEC Cold	-52.3 kWh/(m ² .a)
SEC Warm	-9.73 kWh/(m ² .a)
SEC Class	E
Unit category	RVU
Unit type	UVU
Drive	External MSD or VSD
Heat recovery type	None
Temperature ratio (UVU)	Not applicable
qv max	98 m ³ /h
P max	13 W
qv ref	0.0192 m ³ /s
Ps ref	50 Pa
SPI	0.187 W/(m ³ /h)
CTRL	0.65
MISC	1.1
x-value	1.5
External Leakage	Not applicable
AEC average	123 kWh
AEC cold	123 kWh
AEC warm	123 kWh
AHS Average	28 kWh/a
AHS Cold	55 kWh/a
AHS Warm	13 kWh/a

Dimension



Accessories

- Gasket CG120 to BF Silent (231909)

Documents

- Installation manual BF Silent.pdf
- DECLARATION_OF_CONFORMITY_BF__DMV__IF_EN_20230224_142301454.PDF