

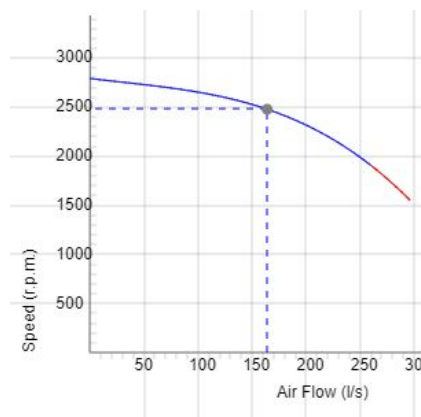
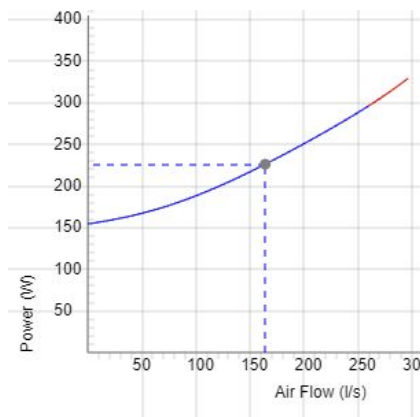
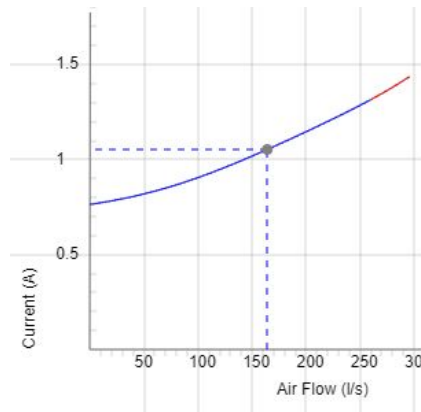
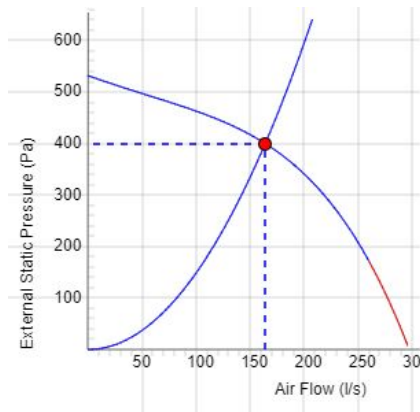
DFE 146-S2



- Double inlet radial fan.
- High pressure, large air volumes and low sound levels.
- Impeller with forward curved blades.
- The external rotor motor has maintenance-free sealed ball-bearings.
- The motor is situated in the airstream to get ultimate cooling.
- Integrated motor protection.
- Can be ordered with junction box.
- For speed control a transformer or electronic speed controller can be connected.
- Fan housing is manufactured from galvanized sheet steel.
- Compact design for a minimum amount of space.
- Ideal for use in heat exchangers, dehumidifiers and air cleaners.



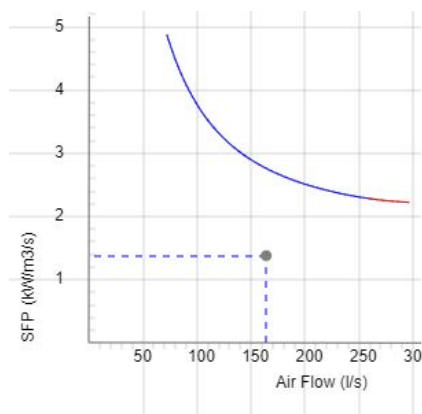
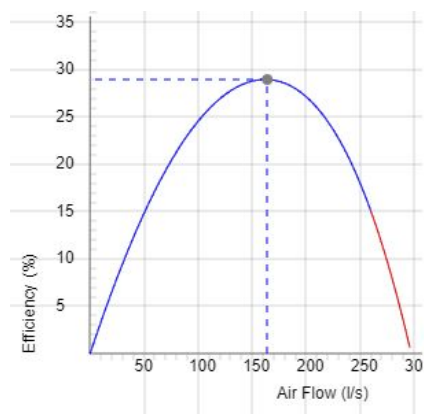
DIAGRAMS



Data

Air Flow (l/s) 164	External static pressure (Pa) 400	Power (W) 226	Speed (r.p.m.) 2479	Current (A) 1.05	Voltage (V) 230
-----------------------	--------------------------------------	------------------	------------------------	---------------------	--------------------

DIAGRAMS

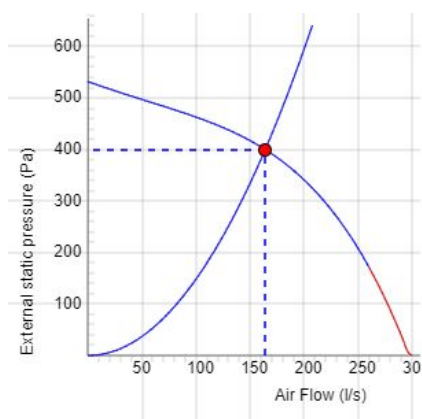


DATA

Efficiency (%)
29

SFP (kW/m³/s)
1.38

SOUND DATA



	Tot	63	125	250	500	1k	2k	4k	8k
Outlet Lw dB(A)	77	58	65	63	65	72	72	70	66
Surrounding Lw dB(A)	73	51	57	64	66	66	67	64	58
Surrounding Lp dB (A) 20m ² Sabine, hemispherical 3m	66								

Data - SOUND

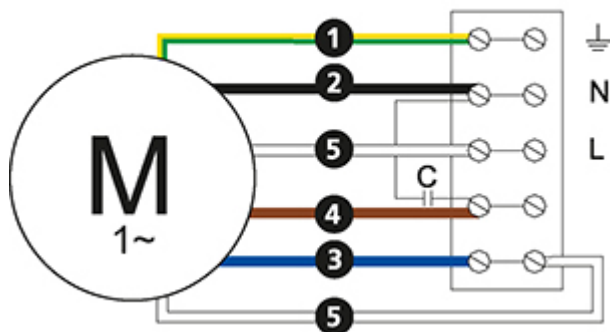
Air Flow (l/s) 164	External static pressure (Pa) 400	Power (W) 226	Speed (r.p.m.) 2479	Current (A) 1.05	Efficiency (%) 29	SFP (kW/m ³ /s) 1.38	Voltage (V) 230
-----------------------	--------------------------------------	------------------	------------------------	---------------------	----------------------	------------------------------------	--------------------

TECHNICAL DATA

Parameter	DFE 146-S2 outdrawn tp 7700228		DFE 146-S2 ErP wired with box 7700381	
	Value	Unit	Value	Unit
Voltage	230	V	230	V
Phase	1	~	1	~
Frequency	50	Hz	50	Hz
Power	290	W	290	W
Current	1.3	A	1.3	A
Speed	1950	r.p.m.	1950	r.p.m.
Max. temperature of transported air	45	°C	45	°C
Max. temperature of transported air when speed controlled	45	°C	45	°C
Sound pressure level at 3 m	66	dB(A)	66	dB(A)
Weight	5.0	kg	5.0	kg
Enclosure class	44	IP	44	IP
Capacitor	N/A	µF	12	µF
Max. flow @ 0Pa	260	l/s	260	l/s
Max. pressure	541	Pa	541	Pa
Voltage range	220-240	V	220-240	V

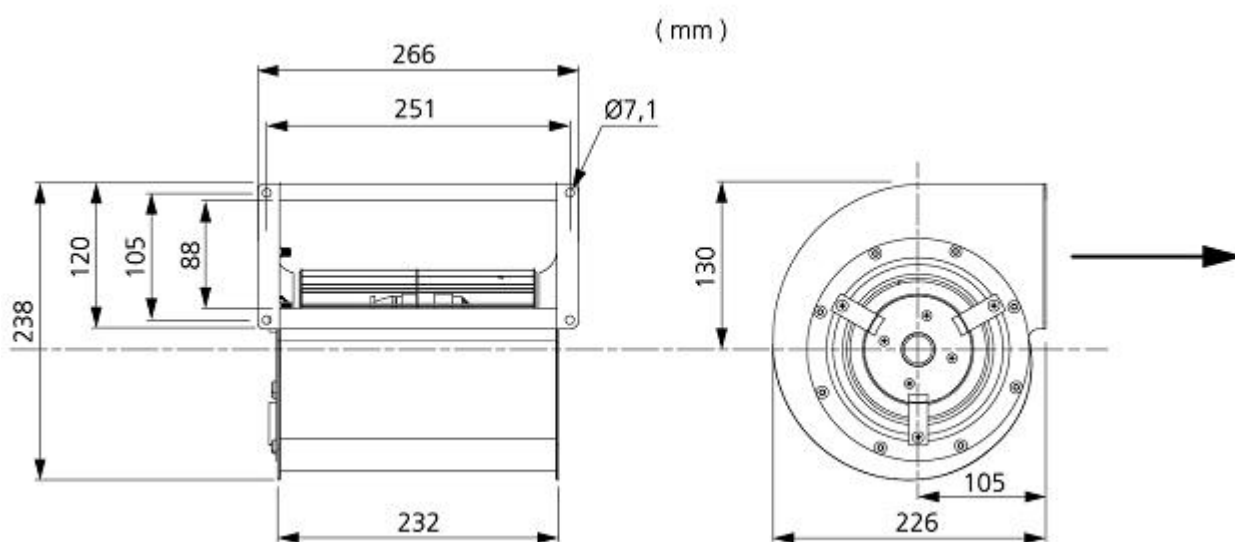
WIRING DIAGRAM

4040005



- Ⓜ = Fan Motor
- Ⓜ1 = Fan Motor
- Ⓜ2 = Fan Motor
- Ⓜ3 = Rotor Motor
- ① = Yellow/Green
- ② = Black
- ③ = Blue
- ④ = Brown
- ⑤ = White
- ⑥ = Orange
- ⑦ = Grey
- ⑧ = Red
- ⑨ = Green
- ⑩ = Violet
- ⑪ = Quick switch
- ⑫ = Yellow

DIMENSIONS



ACCESSORIES

Electrical accessories



Transformer
controller VRTE 3



Transformer
controller VRDE 3



Speed controller VRS
2.0