

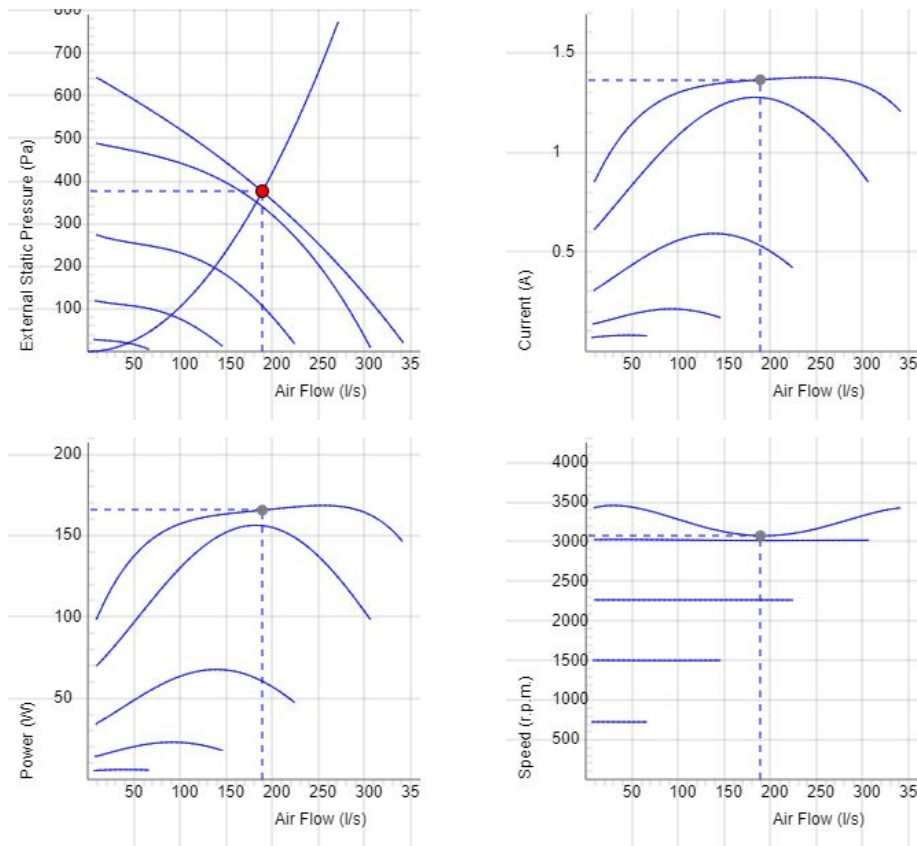
## RS 200 B1 EC



- Exhaust wall fan with circular inlet connection.
- Designed for mounting on external wall.
- Impeller with backward curved blades.
- The external rotor motor has maintenance-free sealed ball-bearings and is very energy efficient.
- Integrated motor protection.
- Junction box has enclosure class IP 54.
- Speed controlling can be done with the built-in potentiometer, 0-10 V alt. external control.
- Fan housing is manufactured from galvanized sheet steel.
- Black painted for high durability.



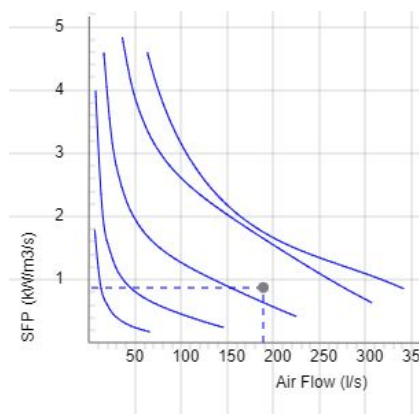
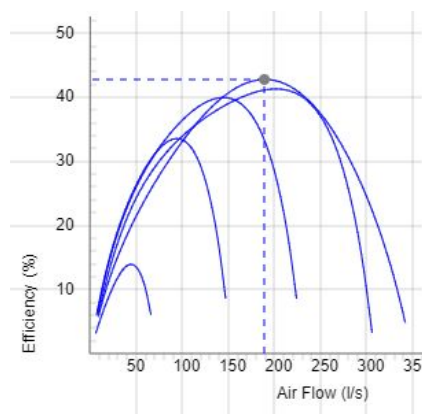
## DIAGRAMS



## Data

Air Flow (l/s) 189	External static pressure (Pa) 375	Power (W) 166	Speed (r.p.m.) 3076	Current (A) 1.36	Voltage (V) 10
-----------------------	--------------------------------------	------------------	------------------------	---------------------	-------------------

## DIAGRAMS

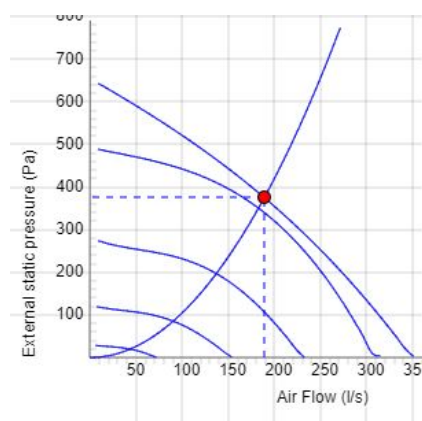


## DATA

Efficiency (%)  
42.8

SFP (kW/m<sup>3</sup>/s)  
0.877

## SOUND DATA



	Tot	63	125	250	500	1k	2k	4k	8k
Inlet Lw dB(A)	78	60	62	65	74	68	70	69	65
Surrounding Lw dB(A)	80	48	53	62	75	73	74	71	61
Surrounding Lp dB (A) 20m <sup>2</sup> Sabine, hemispherical 3m	73								

## Data - SOUND

Air Flow (l/s) 189	External static pressure (Pa) 375	Power (W) 166	Speed (r.p.m.) 3076	Current (A) 1.36	Efficiency (%) 42.8	SFP (kW/m <sup>3</sup> /s) 0.877	Voltage (V) 10
-----------------------	---	------------------	------------------------	---------------------	------------------------	-------------------------------------	-------------------

## TECHNICAL DATA

### RS 200 B1 EC-y1 7400046

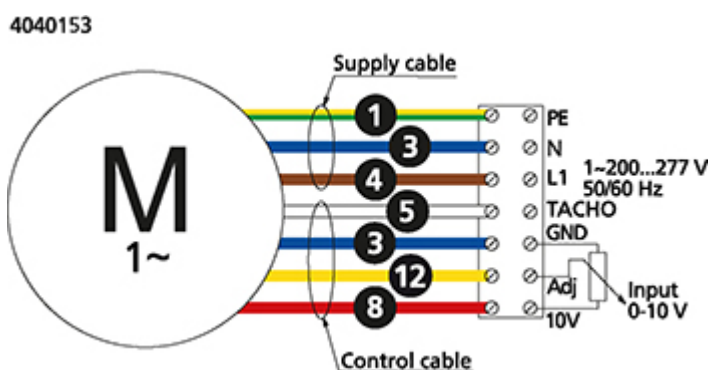
Parameter	Value	Unit
Voltage	230	V
Phase	1	~
Frequency	50/60	Hz
Power	166	W
Current	1.37	A
Speed	3070	r.p.m.
Max. temperature of transported air	60	°C
Sound pressure level at 3 m	73	dB(A)
Weight	5.6	kg
Enclosure class	44	IP
Insulation class, motor	F	
Duct connection	200	mm
Max. flow @ 0Pa	349	l/s
Max. pressure	644	Pa
Voltage range	200-277	V

## PRODUCT INFORMATION SHEET

Parameter	Value	Unit
(a) Manufacturer	Östberg	-
(b) Model code	RS 200 B1 EC	-
(c) Declared type	NRVU / UVU	-
(d) Type of drive	Variable speed drive	-
(e) Type of HRS	N/A	-
(f) Thermal efficiency	N/A	%
(g) Nominal flow rate	0.194	m <sup>3</sup> /s
(h) Effective power input	0.165	kW
(i) SFP int	N/A	W/(m <sup>3</sup> /s)
(j) Face velocity	6.2	m/s
(k) Nominal external pressure	355	Pa
(l) Internal pressure drop	N/A	Pa
(n) Static efficiency	44.2	%
(o) External (and internal) leakage rate	N/A (N/A)	%
(p) Filter classification	N/A	%
(q) Visual filter warning	N/A	-
(r) Sound power level	80	dB LwA
(s) Disassembly instructions	fsp.ostberg.com	-

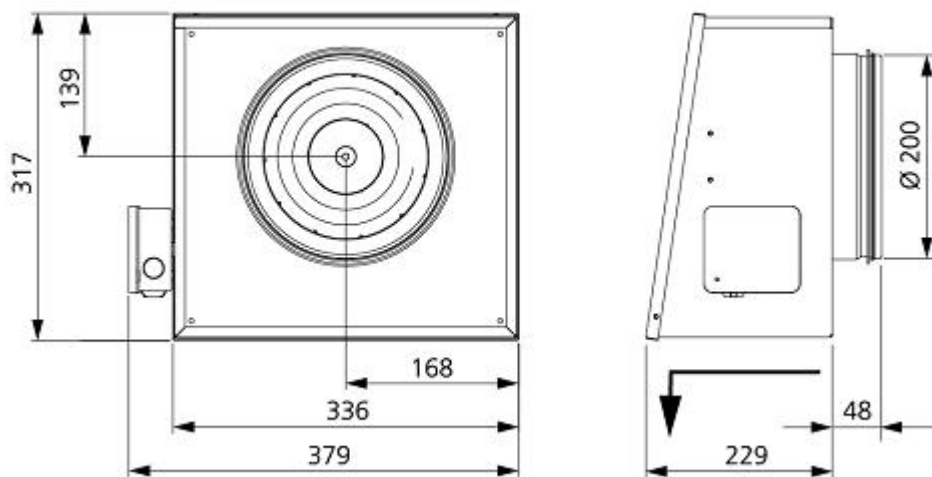
## WIRING DIAGRAM

- Ⓜ = Fan Motor
- Ⓜ1 = Fan Motor
- Ⓜ2 = Fan Motor
- Ⓜ3 = Rotor Motor
- ① = Yellow/Green
- ② = Black
- ③ = Blue
- ④ = Brown
- ⑤ = White
- ⑥ = Orange
- ⑦ = Grey
- ⑧ = Red
- ⑨ = Green
- ⑩ = Violet
- ⑪ = Quick switch
- ⑫ = Yellow



## DIMENSIONS

( mm )



## ACCESSORIES

### Mechanical accessories



Back draught shutter Silencer LDC 200  
RSK 200

### Electrical accessories



Speed controller MS Controller IQ-Reg EC Plejd Controller  
EC

Pressure regulator  
CALAIR-PR-230V

Pressure regulator  
FKP-R